

链轮 PLATEWHEEL
2" x 1"1/4

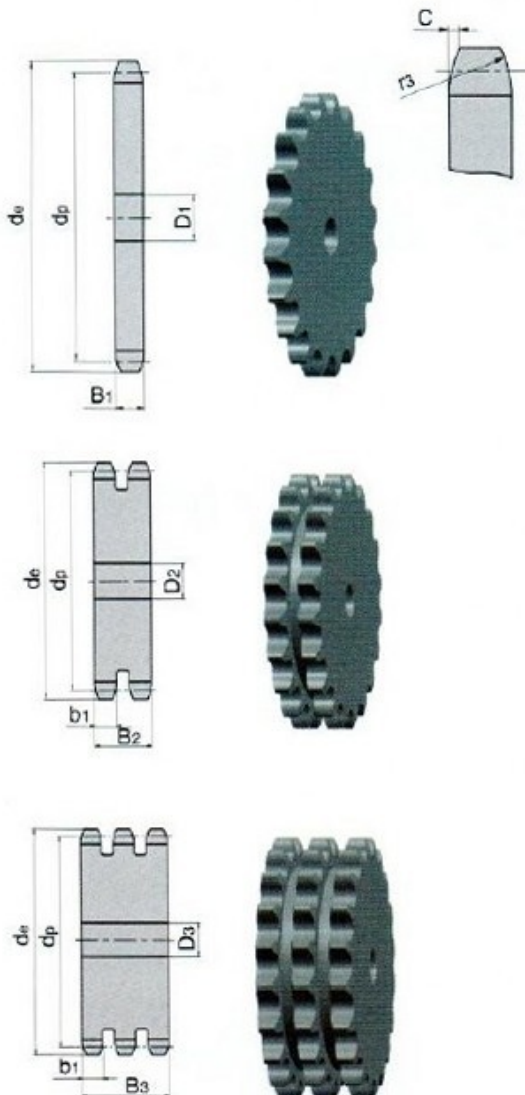
32B-1-2-3, ~32A-1-2-3

链轮 PLATEWHEEL 2" x 1"1/4

配对链条标准为DIN8187 ISO/R 606
For Chain Acc.to DIN8187 ISO/R 606

链轮 PLATEWHEEL	mm
齿侧倒角半径 Tooth Radius r3	51.0
齿侧倒角宽 Radius Width C	5.0
齿宽 Tooth Width B1	29.4
齿宽 Tooth Width b1	28.8
齿宽 Tooth Width B2	87.4
齿宽 Tooth Width B3	146

链条 CHAIN	mm
节距 Pitch	50.8
内节内宽 Internal Width	30.99
滚子直径 Roller Diameter	29.21



Z	d_e	d_p	S D1	D D2	T D3
8	153.2	132.69	25	25	25
9	169.0	148.54	25	25	25
10	185.0	164.44	25	25	25
11	200.8	180.34	30	30	30
12	216.8	196.29	30	30	30
13	232.8	212.29	30	30	30
14	248.8	228.29	30	30	30
15	264.8	244.30	30	30	30
16	280.9	260.40	30	30	30
17	296.9	276.40	30	30	30
18	313.0	292.55	30	30	30
19	329.1	308.66	30	30	30
20	345.2	324.71	30	30	30
21	361.3	340.82	30	30	40
22	377.5	356.98	30	30	40
23	393.6	373.08	30	30	40
24	409.7	389.18	30	30	40
25	425.8	405.33	30	30	40
26	441.9	421.44	30	30	40
27	458.1	437.59	30	30	40
28	474.2	453.69	30	30	40
29	490.4	469.90	30	30	40
30	506.5	486.00	30	30	40
32	538.8	518.26	30	30	40
35	589.5	566.72	30	30	40
38	635.5	615.14	30	30	40
40	670.3	647.49	40	40	40
45	751.0	728.25	40	40	40
50	831.8	809.04	40	40	40
57	945.0	922.16	40	40	40
60	993.4	970.65	40	40	40
76	1252.0	1229.30	40	40	40